

## DESCRIPTION

AMC MODEL MSN-4DT-05-STANDARD OPTION: 218, HI80DB IS A SINGLE POLE FOUR THROW ABSORPTIVE/NON-REFLECTIVE SWITCH MODULE DESIGNED TO OPERATE OVER THE FULL 2 TO 18 GHz FREQUENCY RANGE WITH LOW INSERTION LOSS AND HIGH ISOLATION.

## SPECIFICATIONS

- FREQUENCY RANGE: ..... 2 TO 18 GHz
- INSERTION LOSS: ..... 3.5 dB MAXIMUM
- ISOLATION: ..... 80 dB MINIMUM
- VSWR: ..... 2.0:1
- RISE TIME: ..... 10 nSec TYPICAL, 15 nSec MAXIMUM
- FALL TIME: ..... 10 nSec TYPICAL, 15 nSec MAXIMUM
- DELAY ON: ..... 75 nSec TYPICAL, 100 nSec MAXIMUM
- DELAY OFF: ..... 75 nSec TYPICAL, 100 nSec MAXIMUM
- POWER INPUT: ..... (CW)+30 dBm
- SURVIVAL POWER: ..... 1 WATT CW, 10 WATTS PEAK 1 uSec
- CONTROL: ..... TTL LOGIC "0" = ON  
TTL LOGIC "1" = OFF
- POWER SUPPLY: ..... +5V @ 200 mA MAXIMUM  
-5V @ 100 mA MAXIMUM
- CONNECTORS:  
RF: ..... SMA FEMALE  
CONTROL: ..... SOLDER PIN
- SIZE: ..... 2.00" (L) x 1.50" (W) x 0.40" (H)

## OPTIONS:

- 218: ..... 2 TO 18 GHz FREQUENCY RANGE
- HI80DB: ..... HIGH ISOLATION OF 80 dB MINIMUM

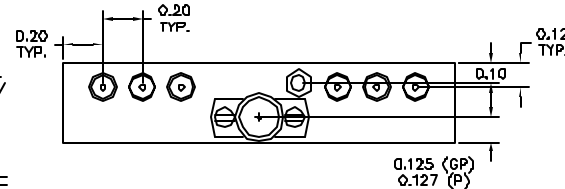
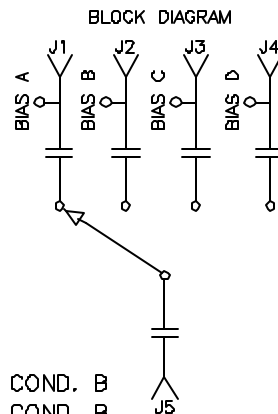
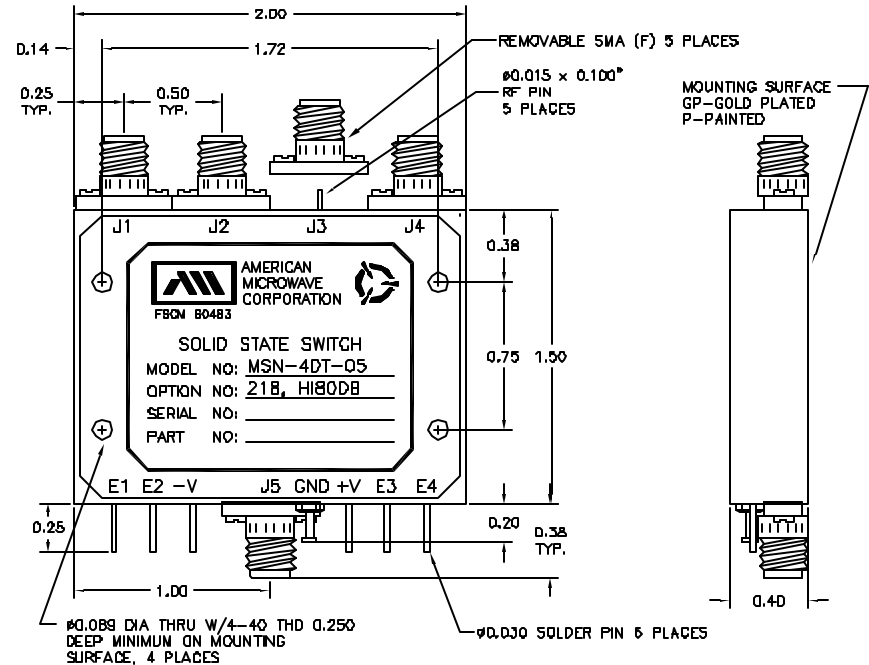
## ENVIRONMENTAL RATINGS:

- TEMPERATURE: ..... 0°C TO +50°C (OPERATING)  
-40°C TO +70°C (STORAGE)
- HUMIDITY: ..... 95% HUMIDITY AT 30°C
- SHOCK: ..... MIL-STD-202F, METHOD 213B COND. B
- VIBRATION: ..... MIL-STD-202F, METHOD 204D COND. B
- ALTITUDE: ..... MIL-STD-202F, METHOD 105C COND. B
- TEMPERATURE CYCLE: ..... MIL-STD-202F, METHOD 107D COND. A

NOTE: SPECIFICATIONS WILL VARY OVER OPERATING TEMPERATURE  
NOTE: THE ABOVE SPECIFICATIONS ARE SUBJECT TO CHANGE OR REVISION

ALL DIMENSIONS ARE IN INCHES  
TOLERANCES:  
X.XX ±0.020  
X.XXX ±0.010

REVISIONS				
ZONE	REV.	DESCRIPTION	DATE	APPROVED
-	-	ORIGINAL RELEASE JOB# 503091	9/25/05	



## AMERICAN MICROWAVE CORPORATION

7311-G GROVE ROAD  
FREDERICK, MARYLAND 21704 USA  
TEL: 301-662-4700 FAX: 301-662-4938  
WEBSITE: [www.americanmicrowavecorp.com](http://www.americanmicrowavecorp.com)  
E-MAIL: [sales@americanmicrowavecorp.com](mailto:sales@americanmicrowavecorp.com)  
ISO 9001:2000 CERTIFIED

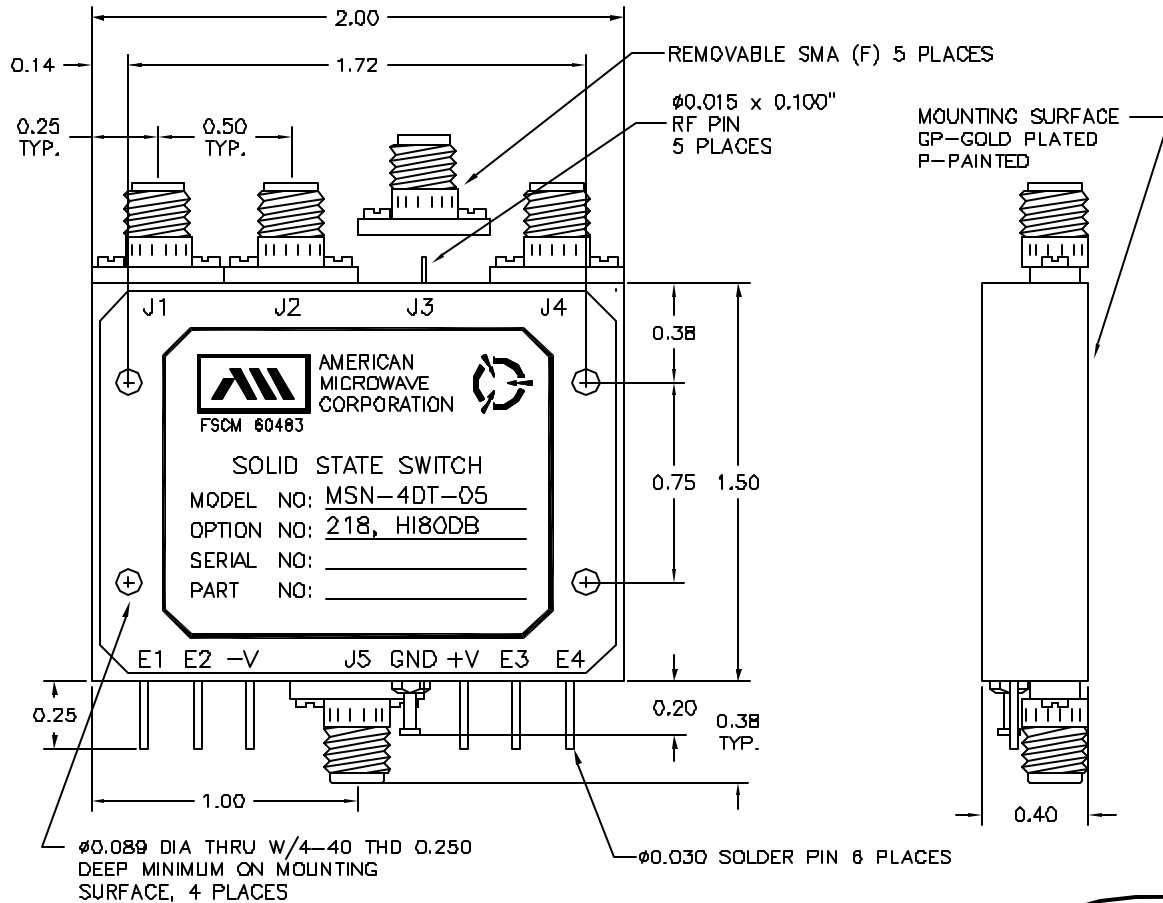


APPROVALS		DATE	TITLE		
DRAWN <i>JDS</i>		9/25/05	PRODUCT FEATURE MSN-4DT-05-STANDARD OPTION: 218, HI80DB 2-18 GHz, SINGLE POLE FOUR THROW SWITCH		
CHECKED			SIZE A	FSCM NO. 60483	DWG NO. 100-7425
ISSUED			SCALE N:S		SHEET 1 OF 3

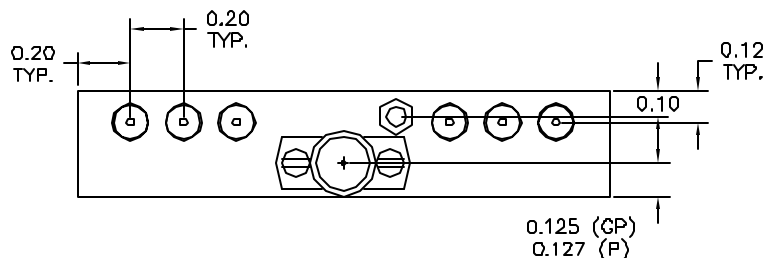
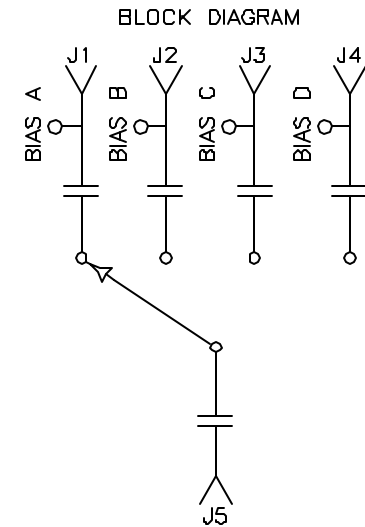
# DESCRIPTION

AMC MODEL MSN-4DT-05-STANDARD OPTION: 218, HI80DB IS A SINGLE POLE FOUR THROW ABSORPTIVE/NON-REFLECTIVE SWITCH MODULE DESIGNED TO OPERATE OVER THE FULL 2 TO 18 GHz FREQUENCY RANGE WITH LOW INSERTION LOSS AND HIGH ISOLATION.

REVISIONS				
ZONE	REV.	DESCRIPTION	DATE	APPROVED
-	-	ORIGINAL RELEASE JOB# 503091	1/25/05	



## MECHANICAL OUTLINE



ALL DIMENSIONS ARE IN INCHES  
TOLERANCES:  
X.XX ±0.020  
X.XXX ±0.010

## AMERICAN MICROWAVE CORPORATION

7311-G GROVE ROAD  
FREDERICK, MARYLAND 21704 USA  
TEL: 301-662-4700 FAX: 301-662-4938  
WEBSITE: [www.americanmicrowavecorp.com](http://www.americanmicrowavecorp.com)  
E-MAIL: [sales@americanmicrowavecorp.com](mailto:sales@americanmicrowavecorp.com)  
ISO 9001:2000 CERTIFIED



APPROVALS		DATE	TITLE		REV.
DRAWN <i>JDS</i>		1/25/05	MECHANICAL OUTLINE MSN-4DT-05-STANDARD OPTION: 218, HI80DB 2-18 GHz, SINGLE POLE FOUR THROW SWITCH		-
CHECKED			SIZE A	FSCM NO. 60483	DWG NO. 100-7425
ISSUED			SCALE N:S	SHEET 2 OF 3	